

TEI-19 Compensated

FEATURES

- O-Ring Mount
- -40°C to +125°C Operating Temperature
- Up to $\pm 0.1\%$ TYP. Pressure Non-Linearity
- Solid State Reliability
- Constant Current

APPLICATIONS

- Medical Instruments
- Process Control
- Fresh & Waste Water Measurements
- Refrigeration/Compressors
- Pressure Transmitters
- Hydraulic Controls

STANDARD RANGES

Range	Psi G	Psi A
0 to 5	•	
0 to 15	•	•
0 to 30	•	•
0 to 50	•	•
0 to 75	•	•
0 to 100	•	•
0 to 150	•	•
0 to 300	•	•
0 to 500	•	•

SPECIFICATIONS

- **316L SS Pressure Sensor**
- **19mm Diameter Package**
- **0 - 100mV Output**
- **Absolute and Gage**
- **Temperature Compensated**

The TEI-19 compensated is a 19 mm small profile, media compatible, piezoresistive silicon pressure sensor packaged in a 316L stainless steel housing. It is designed for O-ring mounting and OEM applications where compatibility with corrosive media is required.

The sensing package utilizes silicone oil to transfer pressure from the 316L stainless steel diaphragm to the sensing element. A PCB is attached to the package that contains laser-trimmed resistors for temperature compensation and offset correction.

For a similar sensor with same outline dimensions and similar parameters, refer to the 154N Compensated pressure sensor.

PERFORMANCE SPECIFICATIONS

Unless otherwise specified: Supply Current: 1.5mA, Ambient Temperature: 25°C

PARAMETERS		MIN	TYP	MAX	UNITS	NOTES
Span	Except 75 & 150 PSI	50	100	150	mV	
	75 & 150 PSI	75	-	225		
Zero Pressure Output	5 PSI	-2.0	0	+2.0	mV	1
	≥ 15 PSI	-1.0	0	+1.0	mV	1
Pressure Non-Linearity	Except 75 & 150 PSI	-0.2	±0.1	+0.2	%Span	2
	75 & 150 PSI	-0.3	±0.15	+0.3		
Pressure Hysteresis			5psi: -0.10 to 0.10 ≥15psi: -0.05 to 0.05		%Span	
Repeatability		-	±0.02	-	%Span	
Input Resistance		2.0	3.5	5.8	KΩ	
Output Resistance		3.8	-	6.0	KΩ	
Temperature Error – Span		-1.0	-	+1.0	%Span	3
Temperature Error – Offset		-1.0	-	+1.0	%Span	3
Thermal Hysteresis – Span		-0.25	±0.05	+0.25	%Span	3
Thermal Hysteresis – Offset		-0.25	±0.05	+0.25	%Span	3
Long Term Stability – Span		-	±0.25	-	%Span/Year	
Long Term Stability – Offset		-	±0.25	-	%Span/Year	
Supply Current		0.5	1.5	2.0	mA	4
Output Load Resistance		5	-	-	MΩ	5
Insulation Resistance (50VDC)		50	-	-	MΩ	6
Output Noise (10Hz to 1KHz)		-	1.0	-	μV p-p	
Response Time (10% to 90%)		-	0.1	-	ms	
Pressure Overload	Except 75 & 150 PSI	-	-	3x	Rated	7
	75 & 150 PSI	-	-	2x		
Pressure Burst	Except 75 & 150 PSI	-	-	4x	Rated	8
	75 & 150 PSI	-	-	2.6x		
Compensated Temperature	5 PSI	0	-	+50	°C	
	≥ 15 PSI	-10	-	+70	°C	
Operating Temperature	5 PSI	-20	-	+70	°C	9
	≥ 15 PSI	-40	-	+125	°C	9
Storage Temperature		-40	-	+125	°C	9

Media – Reference Port

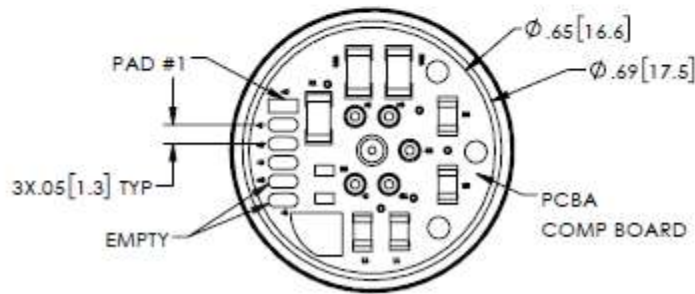
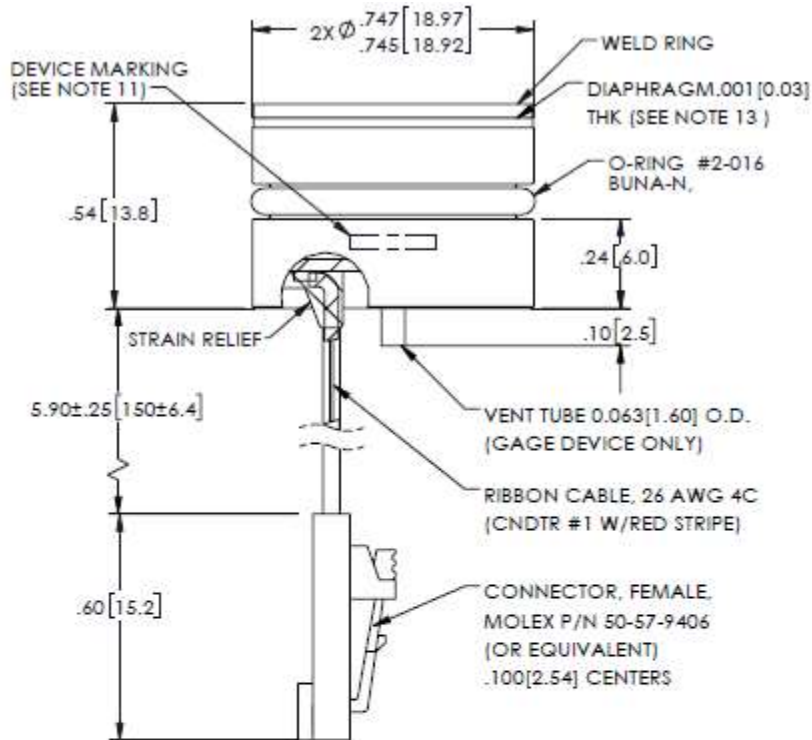
LIQUIDS AND GASES COMPATIBLE WITH 316/316L ST STL

Notes:

1. Measured at vacuum for absolute (A), ambient pressure for gage (G).
2. Best fit straight line.
3. Over the compensated temperature range with respect to 25°C.
4. Guarantees output/input ratiometricity.
5. Load resistance to reduce measurement errors due to output loading.
6. Between case and sensing element.
7. The maximum pressure that can be applied without changing the transducer's performance or accuracy.
8. The maximum pressure that can be applied to a transducer without rupture of either the sensing element or transducer.
9. Maximum temperature range for product with standard cable and connector is -20°C to +105°C.
10. Standard gage units are not recommended for vacuum applications. For vacuum applications below 1/2 atmosphere, consult factory.
11. Device marking: each part shall be identified with model number, pressure range, type ("A" for absolute or "G" for gage), lot number, serial number and date code.
12. Shipping/packaging requirements:
The stainless-steel diaphragm is protected by a plastic cap. Each unit will be packaged individually in a plastic vial with anti-static foam.
13. Direct mechanical contact with diaphragm is prohibited. Diaphragm surface must remain free of defects (scratches, punctures, dents, fingerprints, etc) for device to operate properly. Caution is advised when handling parts with exposed diaphragms. Use protective cap whenever devices are not in use.

DIMENSIONS

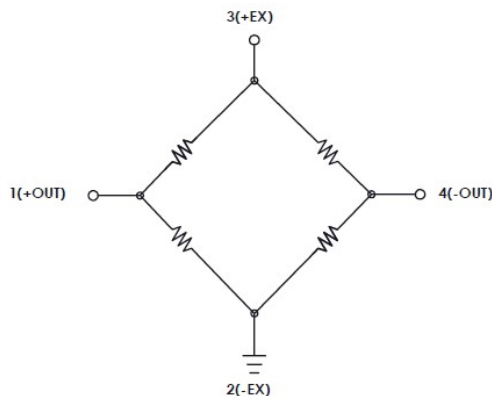
(DIMENSIONS ARE IN INCHES [mm])



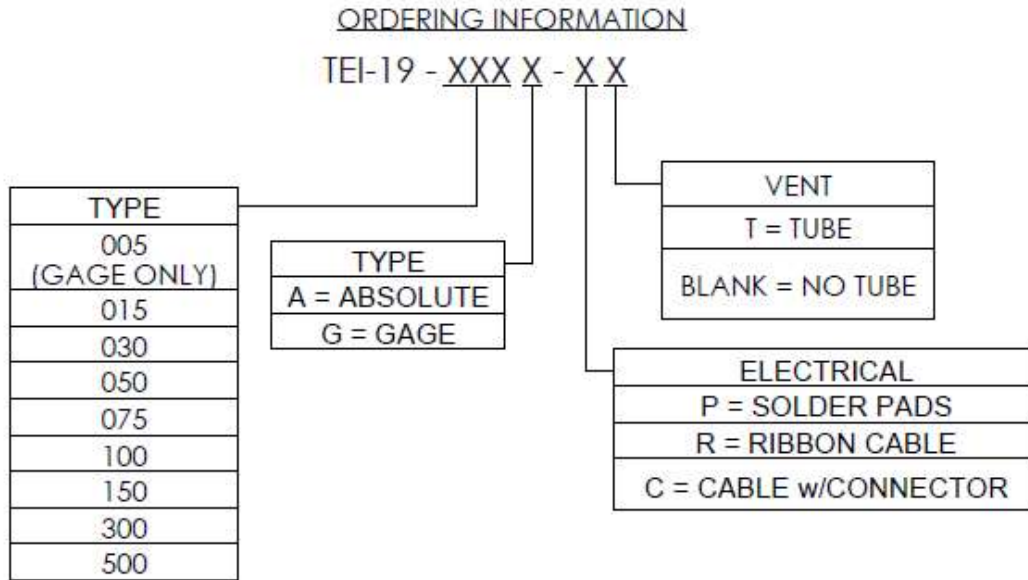
VIEW SHOWN W/O CABLE AND CONNECTOR FOR CLARITY

PAD NO	FUNCTION
1	+OUT
2	-EX
3	+EX
4	-OUT
5	GAIN FOR OPTION
6	OPTION

EQUIVALENT SCHEMATIC



ORDERING INFORMATION



TE.com/sensorsolutions

TE Connectivity, TE Connectivity (logo) and Every Connection Counts are trademarks. All other logos, products and/or company names referred to herein might be trademarks of their respective owners.

The information given herein, including drawings, illustrations and schematics which are intended for illustration purposes only, is believed to be reliable. However, TE Connectivity makes no warranties as to its accuracy or completeness and disclaims any liability in connection with its use. TE Connectivity's obligations shall only be as set forth in TE Connectivity's Standard Terms and Conditions of Sale for this product and in no case will TE Connectivity be liable for any incidental, indirect or consequential damages arising out of the sale, resale, use or misuse of the product. Users of TE Connectivity products should make their own evaluation to determine the suitability of each such product for the specific application.

© 2016 TE Connectivity Ltd. family of companies All Rights Reserved.

PRODUCT SHEET

Contact us:

Add contact info here and update job info at the bottom on the left.

You will need to ungroup this section to access this block. Be careful not to move the location of any of the items especially the logo, which covers the page number in the footer.